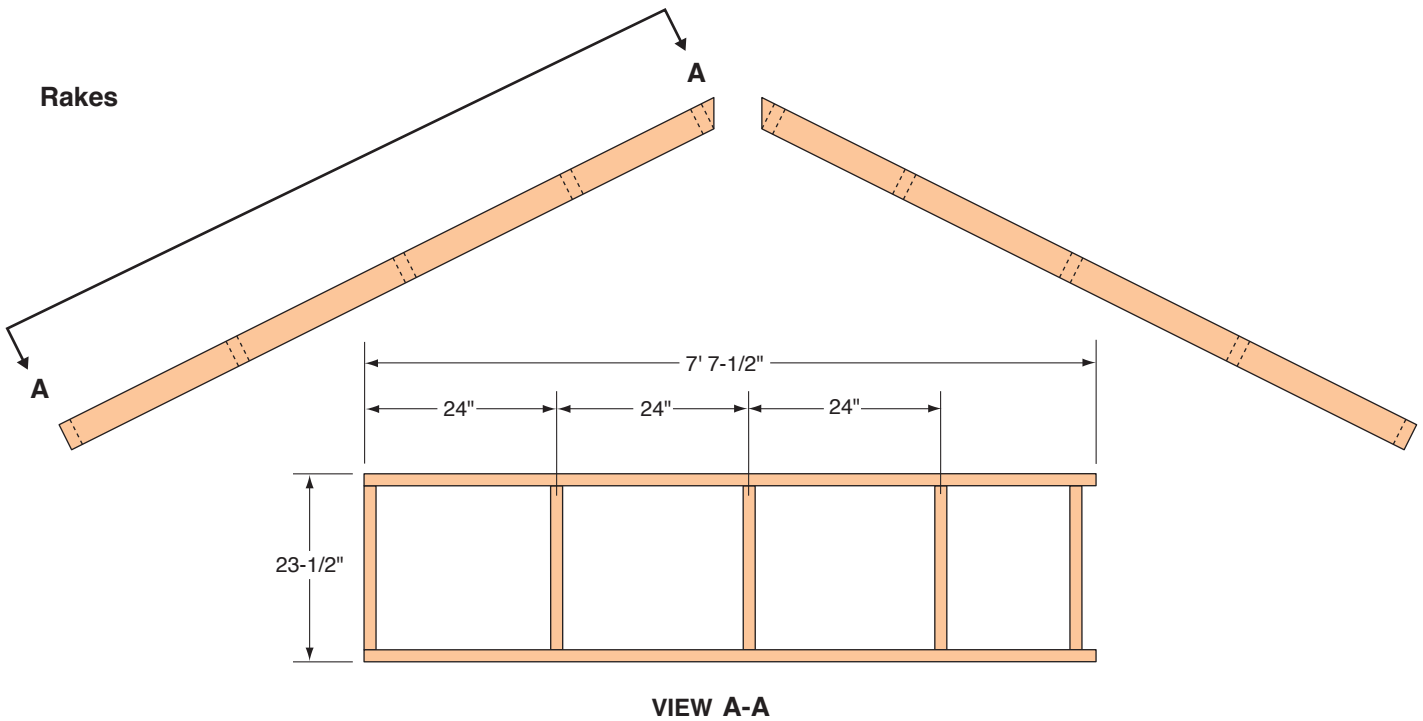
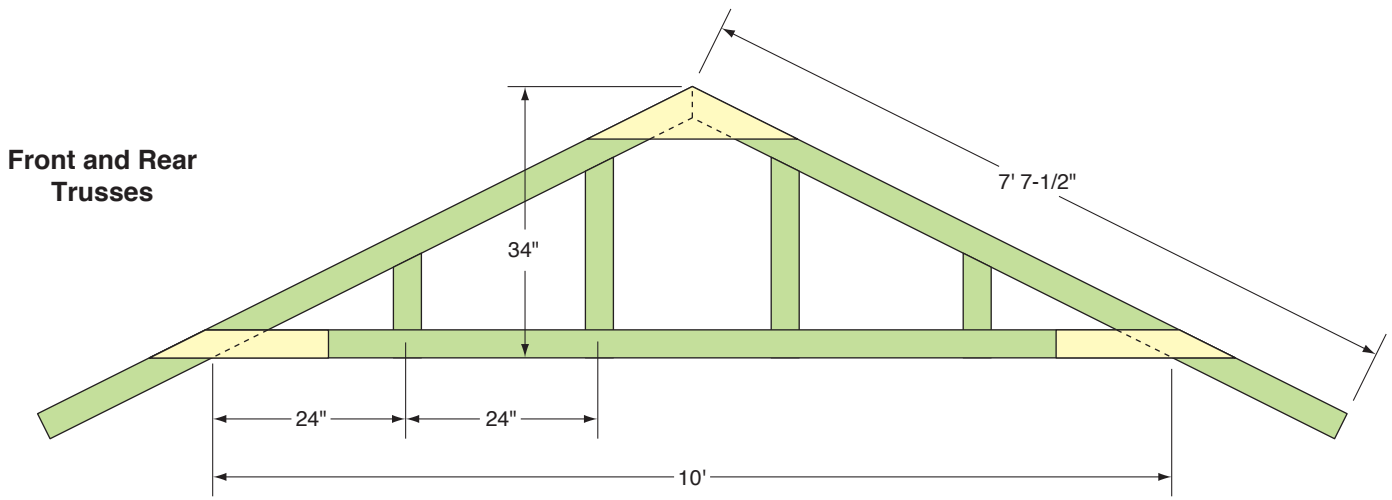
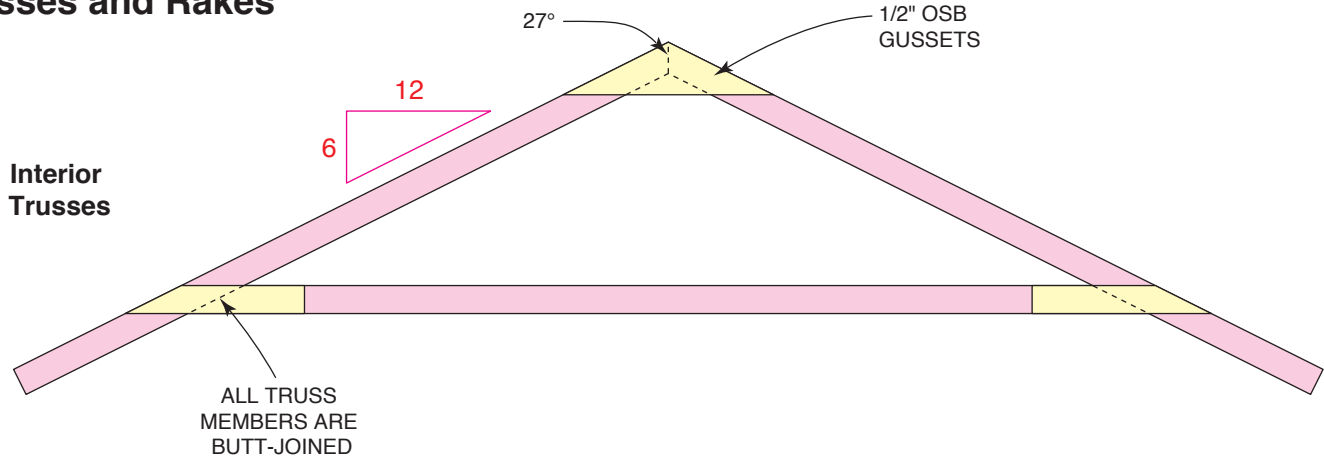


Figure G Trusses and Rakes



NOTE:
ALL 2x4 CONSTRUCTION
EXCEPT FOR GUSSETS